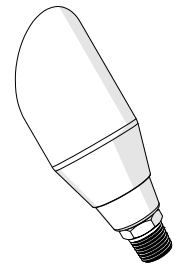




# GalvinCare® Mental Health Tapware

## PRODUCT CODES:

- 42037
- 40707 (Kit)



### SPECIFICATIONS

- Anti-ligature designed hand held shower adaptor, allows for the easy removal of the hand shower after use.
- Durable chrome finish for easy cleaning and a homely look.
- Utilises a quick connect fitting for safe, reliable shut off and easy attachment and release.
- Can be adapted to existing hose and hand showers.

**IMPORTANT:** All GalvinCare® Mental Health taps are tested in accordance with AS/NZS 3718 and leave our premises in good working order.

### TECHNICAL DATA

Inlet	1/2" BSP – Female	
Outlet	1/2" BSP – Male	
Headwork	N/A	
Working Pressure Range (kPa)	Min	50
	Max	500
Working Temperature Range (°C)	Min	5
	Max	80
Finish	Chrome	

**NOTE:** Galvin Specialised continually strive to improve their products. Specifications may change without notice.

### TOOLS REQUIRED

- Power drill
- Spanner or adjustable crescent
- Thread sealer

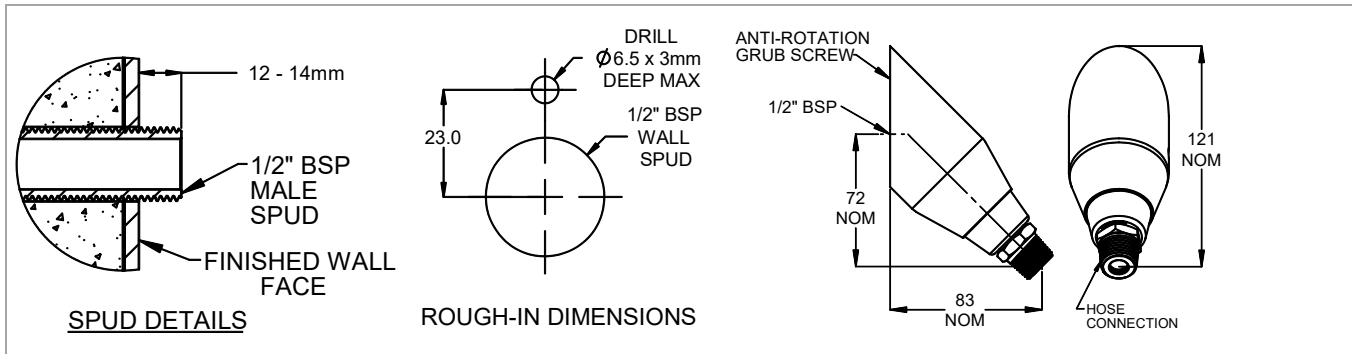
### PRE-INSTALLATION

#### MOUNTING DETAILS – ROUGH IN & OVERALL DIMENSIONS

- Ensure 1/2" BSP Male spud protrudes between 12 and 14mm from the finished wall face.
- Drill anti-rotation hole as per rough in dimensions (maximum 3mm deep) – Anti-rotation grub screw. supplied is for use on hard surfaces only (Eg. Tiles). If installation is on soft wall a longer grub screw is recommended and this hole must be drilled deeper to suit.
- Before installation all lines must be flushed.



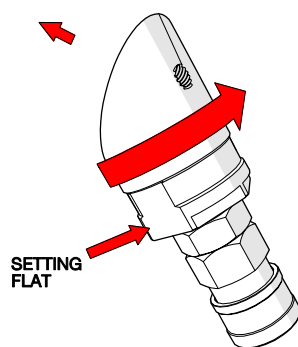
## Product Installation Guideline



## INSTALLATION

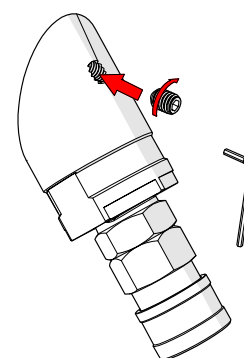
**INSTALLATION COMPLIANCE:** Galvin Specialised products must be installed in accordance with these installation instructions and in accordance with AS/NZS 3500, the PCA and your local regulatory requirements. Water and/or electrical supply conditions must also comply to the applicable national and/or state standards. Failing to comply with these provisions shall void the product warranty and may affect the performance of the product.

**IMPORTANT:** Whilst our product designs take into account a broad range of installation types and surfaces, it is important that surfaces which fixtures are mounted to are flat and free from defect. Additionally, ensure any protruding connecting thread is square to the wall so that the outlet sits flat against the wall when installed, ensuring that there are no gaps between the wall and outlet. This is especially important when installing product ranges that have been designed for correctional and health facilities, where special attention is required to minimise ligature points and areas for concealment of contraband. In addition to ensuring the products are fitted securely and in accordance with the following instructions, consideration shall be given to the use of non-pick mastics such as BASF Sonolastic "Ultra" to ensure a high quality and safe installation.



### 1. Fit body assembly

- Tighten wall body on spud using thread sealer until the wall body contacts the wall.
- Undo slightly until setting flat is vertical (plumb).

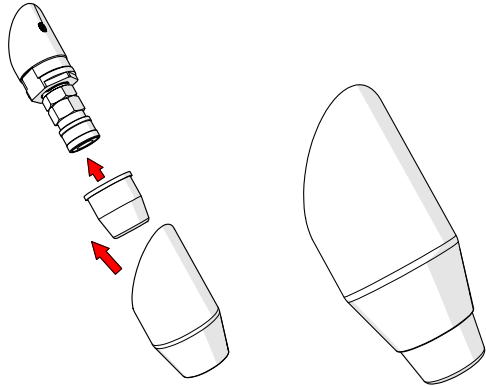


### 2. Fit anti-rotation grub screw

- Fit anti-rotation grub screw ensuring it lines up with pre-drilled hole.
- Ensure that the grub screw is not over tightened and the body cannot rotate.

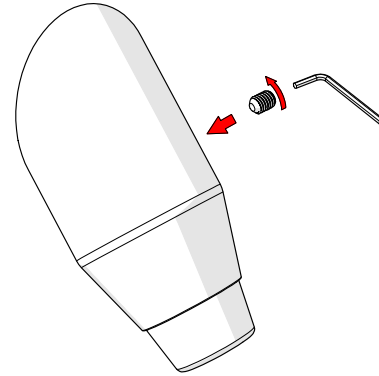


## Product Installation Guideline



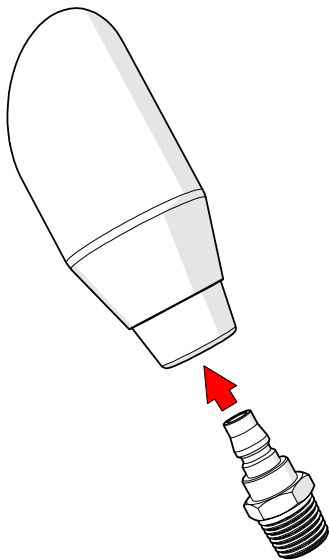
### 3. Fit inner and outer body

- Assemble inner and outer body as shown.



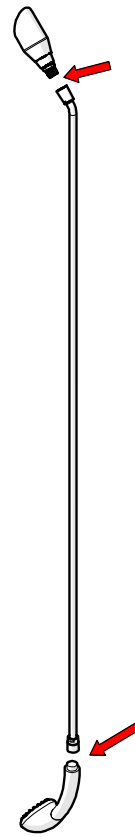
### 4. Secure outer body

- Fit supplied coated grub screw onto flange.
- Remove excess locking compound after fitting grub screw. (Avoid contact with skin.)



### 5. Fit the hose connection

- Fit the hose connection.



### 6. Connect hose and test.

- Fit the hose and hand piece as shown (A hose and hand piece kit is available (Item # 40707).
- Turn on water and check for leaks.



## Product Installation Guideline

Version 1, 31 July 2017, 4 of 4

### TROUBLESHOOTING

PROBLEM	CAUSE	RECTIFICATION
Outer body does not fit	Anti-rotation grub screw sitting out on wall body	Re-locate/ re-fit grub screw on wall body
Hose connection not push into wall coupling	Inner body not sliding (Wall coupling stuck or tight)	Remove outer and inner bodies and check wall coupling is sliding properly
Water leaks from body or hose connection	Wall body not properly sealed	Remove all parts, re-seal wall body, and re-assemble properly
	Hose connection loose	Check wall coupling locates properly with hose connection

### WARRANTY

The warranty set forth herein is given expressly and is the only warranty given by the Galvin Engineering Pty Ltd. With respect to the product, Galvin Engineering Pty Ltd makes no other warranties, express or implied. Galvin Engineering Pty. Ltd. hereby specifically disclaims all other warranties, express or implied, including but not limited to the implied warranties of merchantability and fitness for a particular purpose.

Galvin Engineering Pty Ltd products are covered under our manufacturer's warranty available for download from [www.galvinengineering.com.au](http://www.galvinengineering.com.au) Galvin Engineering Pty Ltd expressly warrants that the product is free from operational defects in workmanship and materials for the warranty period as shown on the schedule in the manufacturer's warranty. During the warranty period, Galvin Engineering will replace or repair any defective products manufactured by Galvin Engineering without charge, so long as the terms of the Manufacturer's warranty are complied with.

The remedy described in the first paragraph of this warranty shall constitute the sole and exclusive remedy for breach of warranty, and Galvin Engineering Pty Ltd shall not be responsible for any incidental, special or consequential damages, including without limitation, lost profits or the cost of repairing or replacing other property which is damaged if this product does not work properly, other costs resulting from labour charges, delays, vandalism, negligence, fouling caused by foreign material, damage from adverse water conditions, chemical, electrical or any other circumstances over which Galvin Engineering has no control. This warranty shall be invalidated by any abuse, misuse, misapplication, improper installation or improper maintenance or alteration of the product.

